

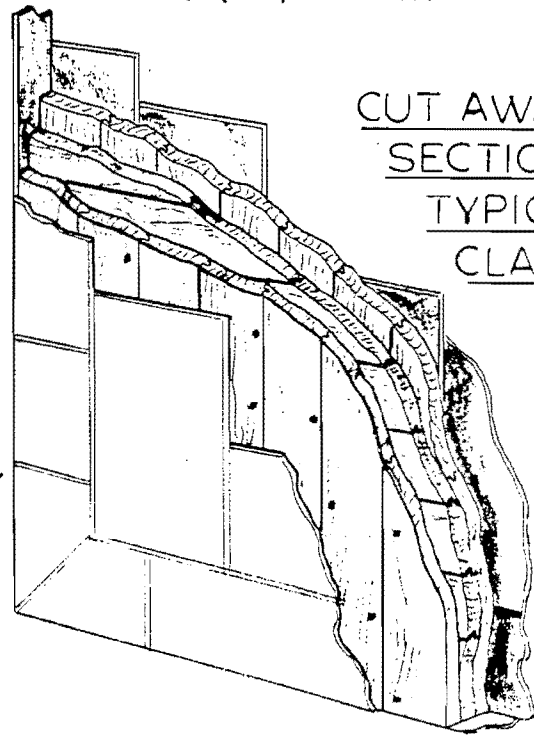
CONSTRUCTION
DETAILS OF A
LABEL TIN
CLAD FIRE DOOR

CUT AWAY
SECTION OF
TYPICAL TIN
CLAD DOOR

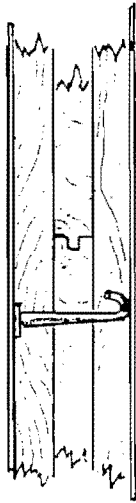
TYPES

2-PLY 1½ HR. RATED
ABOUT 1½" TK.

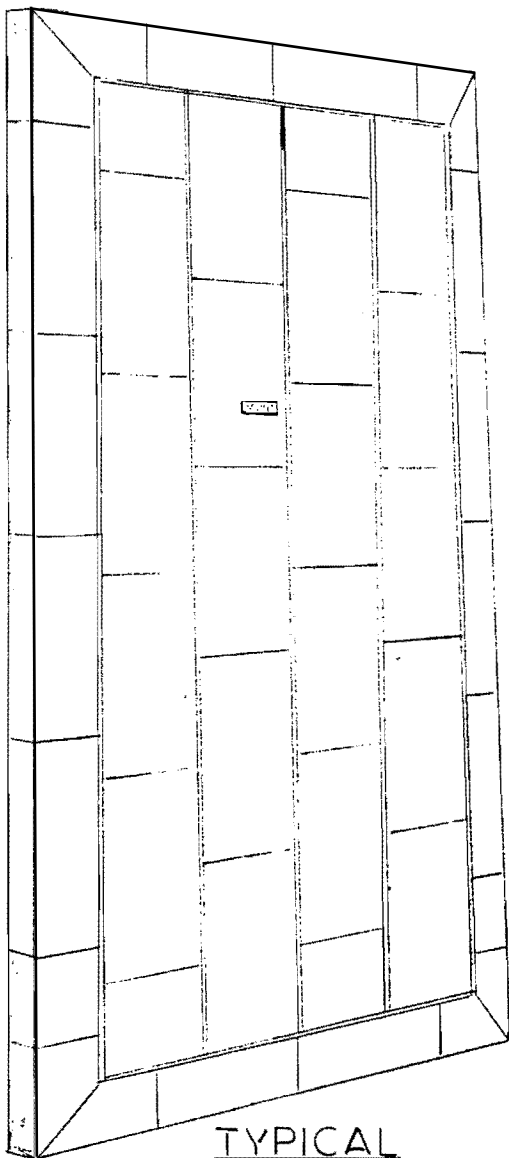
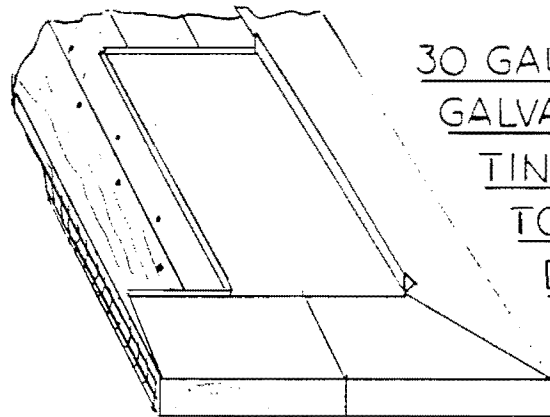
3-PLY 3 HR. RATED
ABOUT 2 7/16" TK.



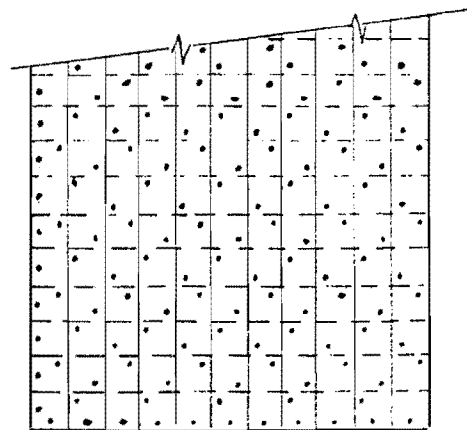
**Clinched
Nail Used
in Wood
Core**



30 GAUGE
GALVANIZED
TIN APPLIED
TO EDGE OF
DOOR AND
1ST SHEET



TYPICAL
LABEL TIN CLAD
DOOR



TYPICAL NAILING
PATTERN OF THE
WOOD CORE